

KAGB-005E-IAA

HFC, R-404A, 60 Hz, 1 - Phase, 115 V

Extra-Low Temperature

Production Status: Available for sale to all U.S. customers. Please check with your local Copeland Representative for international availability.

Summary

Performance		
Evaporator Temp. (°F)	-25.00	-40
Condensing Temp. (°F)	105.00	105
Return Gas Temp. (°F)	65.00	65
Liquid Temp. (°F)	105.00	105
Capacity (BTU/hr)	2930	1660
Power (W):	845	612
Current (Amps):	9.8	8
EER(BTU/Wh):	3.5	2.7
Mass Flow (lbs/hr):	52	29
Sound Data @		
Sound Power (dBA):	Avg	Max
Vibration mils(peak-peak):		4.8 Max
Record Date:	2001-08-02	
Mechanical		
Displacement (in ³ /Rev):	3.05	
Displacement (ft ³ /Hr):		
Overall Length (in):	14.40	
Overall Width (in):	9.50	
Overall Height (in):	10.40	
Mounting Length (in):	8.20	
Mounting Width (in):	6.40	
Mounting Height (in):	11.20	

Suction Size (in),Type: 1 / 2

Discharge Size (in),Type: 3 / 8

Initial Oil Charge (oz): 22

Oil Recharge (oz): 20

Oil Type: POE

Net Weight (lbs): 83.0

Internal Free Volume (in³):

*Overall compressor height on Copeland Brand Product's specified mounting grommets.

Electrical

LRA High* (Amps): 45.0

LRA Low*(Amps):

LRA Half Winding (Amps):

MCC (Amps): 10.9

Max Operating Current (Amps):

RLA, MCC/1.4(use for contactor selection)(Amps): 7.8

RLA, MCC/1.56(use for breaker & wire size selection)(Amps): 7.0

RPM: 1750

Box IP :

UL File No: SA-2337

UL File Date: 1984-07-23

*Low and High refer to the low and high nominal voltage ranges for which the motor is approved.

Capacitors

Type	Part No	Low MFD	High MFD	Volts	User Description
Start Capacitor	014-0061-02	400.0	480.0	110	

Alternate Applications

Refrigerant	Voltage	Phase	Frequency	Application
R-448A HFO	115	1	60	Extra-Low Temperature
R-449A HFO	115	1	60	Extra-Low Temperature

Service Parts

Accessories

Electrical Components

Nomenclature

Miscellaneous

Bill-of-Materials

KAGB-005E-IAA - BILL OF MATERIALS

100 - Common U.S. OEM Bill Of Materials

Suction Connection	Flare
---------------------------	-------

Suction Size	1/2"
---------------------	------

Discharge Connection	Flare
-----------------------------	-------

Discharge Size	3/8"
-----------------------	------

Electrical Connection	Terminal Block
------------------------------	----------------

Mounting Assembly	Not Available
--------------------------	---------------

Sight Glass	
--------------------	--

Crankcase Heater	
-------------------------	--

Schrader Valve	
-----------------------	--

Tandem Ready	
---------------------	--

Module Voltage	
-----------------------	--

Reference Drawing**200 - Common U.S. OEM Bill Of Materials**

Suction Connection	Flare
---------------------------	-------

Suction Size	1/2"
---------------------	------

Discharge Connection	Flare
-----------------------------	-------

Discharge Size	3/8"
-----------------------	------

Electrical Connection	Terminal Block
------------------------------	----------------

Mounting Assembly	Available
--------------------------	-----------

Sight Glass	
--------------------	--

Crankcase Heater	
-------------------------	--

Schrader Valve	
-----------------------	--

Tandem Ready	
---------------------	--

Module Voltage	
-----------------------	--

Reference Drawing	497-0022-00-01.v01.pdf
--------------------------	--

220 - Common U.S. OEM Bill Of Materials

Suction Connection	Flare
---------------------------	-------

Suction Size	1/2"
---------------------	------

Discharge Connection	Flare
-----------------------------	-------

Discharge Size	3/8"
-----------------------	------

Electrical Connection	Terminal Block
------------------------------	----------------

Mounting Assembly	Available
--------------------------	-----------

Sight Glass	
--------------------	--

Crankcase Heater	
-------------------------	--

Schrader Valve	
-----------------------	--

Tandem Ready	
---------------------	--

Module Voltage	
-----------------------	--

Reference Drawing	
--------------------------	--

221 - Common U.S. OEM Bill Of Materials

Suction Connection	FR
---------------------------	----

Suction Size	1/2"
---------------------	------

Discharge Connection	FR
-----------------------------	----

Discharge Size	3/8"
-----------------------	------

Electrical Connection	
------------------------------	--

Mounting Assembly	Not Available
--------------------------	---------------

Sight Glass	
--------------------	--

Crankcase Heater	
-------------------------	--

Schrader Valve	
-----------------------	--

Tandem Ready	
---------------------	--

Module Voltage	
-----------------------	--

Reference Drawing	
--------------------------	--

222 - Common U.S. OEM Bill Of Materials

Suction Connection	Flare
---------------------------	-------

Suction Size	1/2"
---------------------	------

Discharge Connection	Flare
-----------------------------	-------

Discharge Size	3/8"
-----------------------	------

Electrical Connection	Terminal Block
------------------------------	----------------

Mounting Assembly	Available
--------------------------	-----------

Sight Glass	
--------------------	--

Crankcase Heater	
-------------------------	--

Schrader Valve	
-----------------------	--

Tandem Ready	
---------------------	--

Module Voltage	
-----------------------	--

Reference Drawing	
--------------------------	--

224 - Common U.S. OEM Bill Of Materials

Suction Connection	FR
---------------------------	----

Suction Size	1/2"
---------------------	------

Discharge Connection	FR
-----------------------------	----

Discharge Size	3/8"
-----------------------	------

Electrical Connection	
------------------------------	--

Mounting Assembly	Not Available
--------------------------	---------------

Sight Glass

Crankcase Heater

Schrader Valve

Tandem Ready

Module Voltage

Reference Drawing

225 - Common U.S. OEM Bill Of Materials

Suction Connection FR

Suction Size 1/2"

Discharge Connection FR

Discharge Size 3/8"

Electrical Connection

Mounting Assembly Not Available

Sight Glass

Crankcase Heater

Schrader Valve

Tandem Ready

Module Voltage

Reference Drawing

226 - Common U.S. OEM Bill Of Materials

Suction Connection Flare

Suction Size 1/2"

Discharge Connection Flare

Discharge Size 3/8"

Electrical Connection Terminal Block

Mounting Assembly Available

Sight Glass

Crankcase Heater

Schrader Valve

Tandem Ready

Module Voltage**Reference Drawing****250 - Common U.S. OEM Bill Of Materials**

Suction Connection	Rotalock
---------------------------	----------

Suction Size	1/2"
---------------------	------

Discharge Connection	Rotalock
-----------------------------	----------

Discharge Size	3/8"
-----------------------	------

Electrical Connection	Terminal Block
------------------------------	----------------

Mounting Assembly	Available
--------------------------	-----------

Sight Glass**Crankcase Heater****Schrader Valve****Tandem Ready****Module Voltage****Reference Drawing****800 - Common U.S. Service Bill Of Materials**

Suction Connection	Flare
---------------------------	-------

Suction Size	1/2"
---------------------	------

Discharge Connection	Flare
-----------------------------	-------

Discharge Size	3/8"
-----------------------	------

Electrical Connection	Terminal Block
------------------------------	----------------

Mounting Assembly	Not Available
--------------------------	---------------

Sight Glass**Crankcase Heater****Schrader Valve****Tandem Ready****Module Voltage****Reference Drawing****8R0 - Common U.S. Service Bill Of Materials**

Suction Connection	Flare
---------------------------	-------

Suction Size	1/2"
---------------------	------

Discharge Connection	Flare
-----------------------------	-------

Discharge Size	3/8"
-----------------------	------

Electrical Connection	
------------------------------	--

Mounting Assembly	Not Available
--------------------------	---------------

Sight Glass	
--------------------	--

Crankcase Heater	
-------------------------	--

Schrader Valve	
-----------------------	--

Tandem Ready	
---------------------	--

Module Voltage	
-----------------------	--

Reference Drawing	
--------------------------	--

8S0 - Common U.S. Service Bill Of Materials

Suction Connection	Flare
---------------------------	-------

Suction Size	1/2"
---------------------	------

Discharge Connection	Flare
-----------------------------	-------

Discharge Size	3/8"
-----------------------	------

Electrical Connection	
------------------------------	--

Mounting Assembly	Not Available
--------------------------	---------------

Sight Glass	
--------------------	--

Crankcase Heater	
-------------------------	--

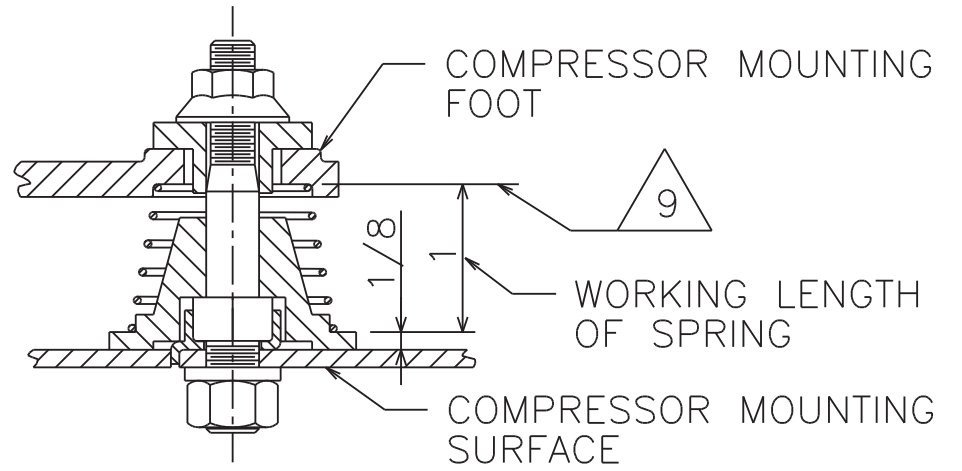
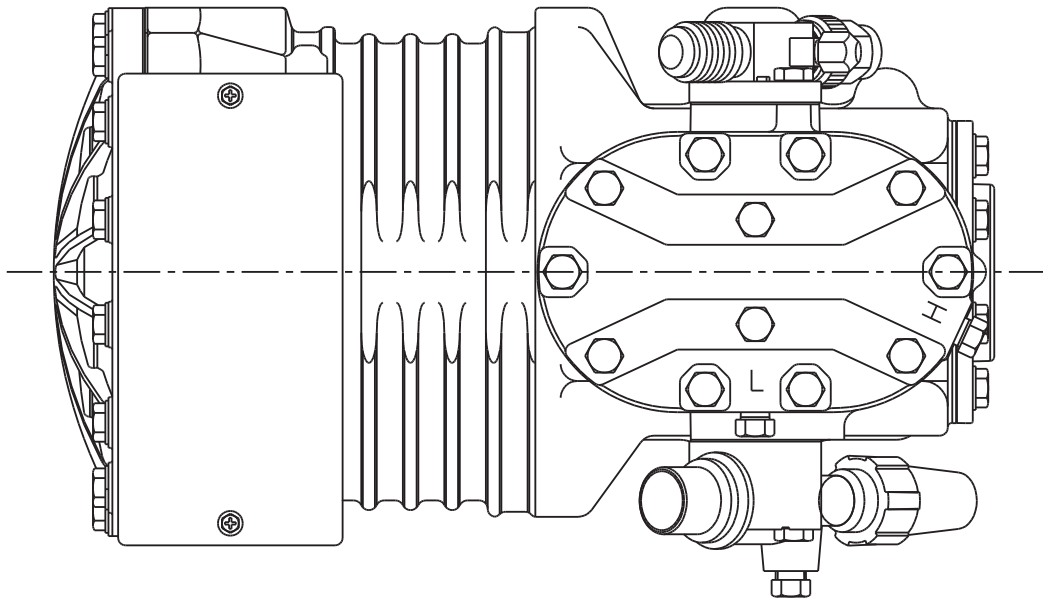
Schrader Valve	
-----------------------	--

Tandem Ready	
---------------------	--

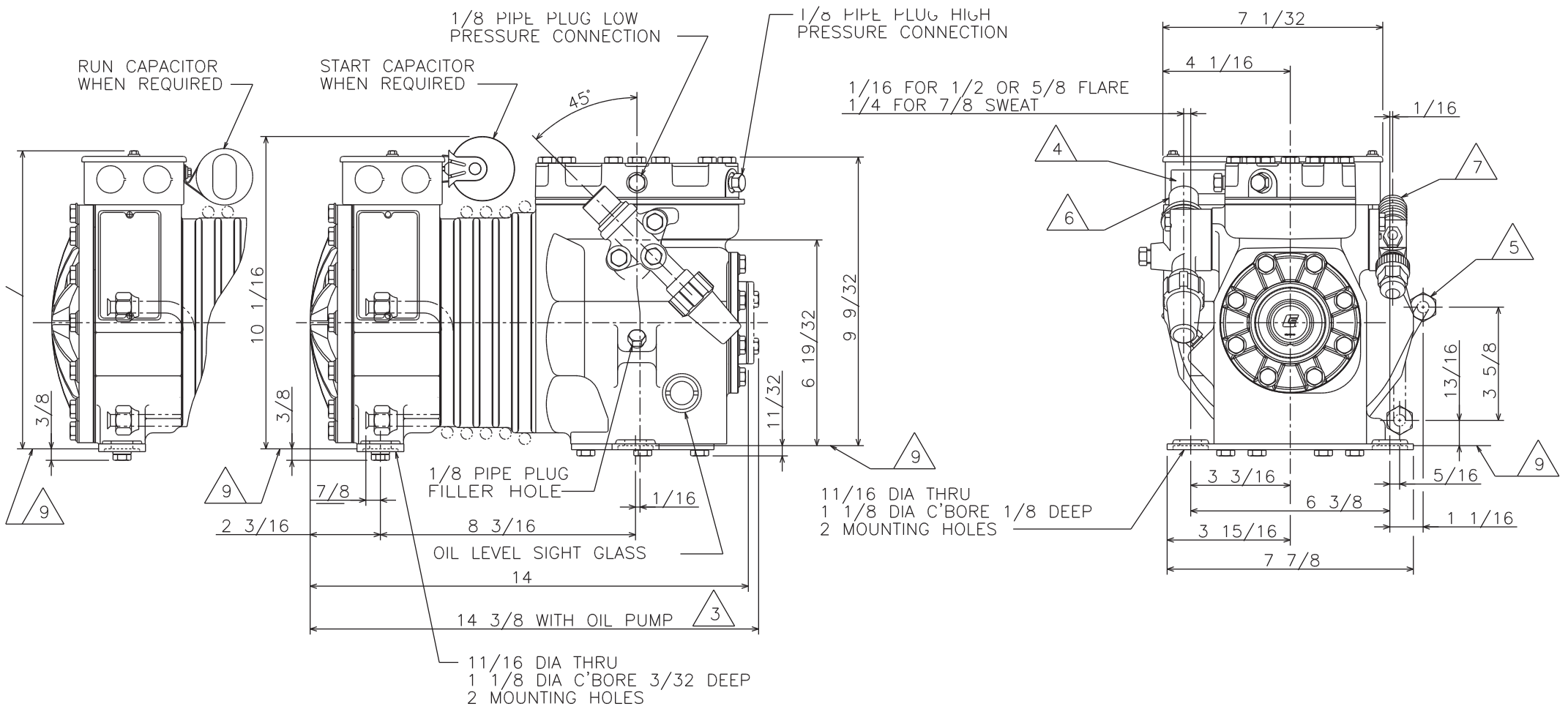
Module Voltage	
-----------------------	--

Reference Drawing	
--------------------------	--

Drawing



COMPRESSOR MOUNTING PARTS

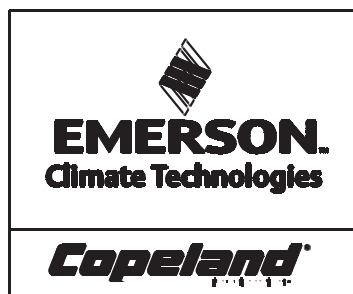


NOTES:

1. VALVE DIRECTION CAN BE STEM UP OR STEM DOWN.
2. 1 1/2 HORSEPOWER AND ABOVE ARE STANDARD WITH OIL PUMP.
3. ALL COMPRESSORS WITH OIL PUMP ARE INDICATED BY AN ALPHABETICAL CHARACTER IN THE FOURTH DIGIT.
4. PLACE CUSTOMER PART NUMBER IN APPROXIMATE LOCATION SHOWN, WHEN REQUIRED.
5. WATER COIL OPTIONAL, WATER INLET AND OUTLET 3/8 FLARE.
6. SUCTION VALVE: 1/2 FLARE, 5/8 FLARE OR 7/8 SWEAT,
7. DISCHARGE VALVE: 3/8 FLARE, 1/2 FLARE OR 5/8 FLARE.
8. ALL TOLERANCES ARE ±3/32 EXCEPT INDUSTRY STANDARDS APPLY TO FITTINGS AND VALVES.
9. MOUNTING SPRING SURFACE.

31-0807-055	25	HOUSING COVER PICTORIALY REVISED	10-31-08	VSK	WF	
31-0907-049	24	REDRAWN; CHG FORMAT FOR PROJECT INC	11-22-07	MMB	CHK	RS
10-0973-011	0	RELEASED	09-17-73	SL		
ENG NOTICE NO.	REV. NO.	REVISIONS	DATE	BY	CHKD	APP

CONFIDENTIALITY NOTICE			
THIS DRAWING AND INFORMATION CONTAINED HEREIN ARE THE EXCLUSIVE PROPERTY OF EMERSON CLIMATE TECHNOLOGIES, INC. AND SHALL BE RETURNED UPON DEMAND AND SHALL NOT BE REPRODUCED IN WHOLE OR IN PART TO ANYONE ELSE OR USED, WITHOUT THE WRITTEN CONSENT OF EMERSON CLIMATE TECHNOLOGIES, INC.			
MATERIAL SPECIFICATION	DRAWN BY	SUPERSEDES DWG. NO. / REV. NO.	
N/A	MMB	497-0022-00 / 23	
	DATE	SCALE	DATE FORMAT
	11-22-07	1:2	MM-DD-YY
TITLE	DRAWING NUMBER		SHEET 1 OF 2
RFI DWG-COPF COMP ASSM	197-0022-00		4



INTERPRET PER ASME Y14.5M-1994 AND EMERSON CLIMATE TECHNOLOGIES, INC. DESIGN STANDARDS DS2002
DO NOT SCALE DRAWING
THIRD ANGLE PROJECTION

UNLESS OTHERWISE SPECIFIED DIMENSIONS ARE INCH OR (MILLIMETER)
TOLERANCES:
2-PLACE ± N/A
3-PLACE ± N/A